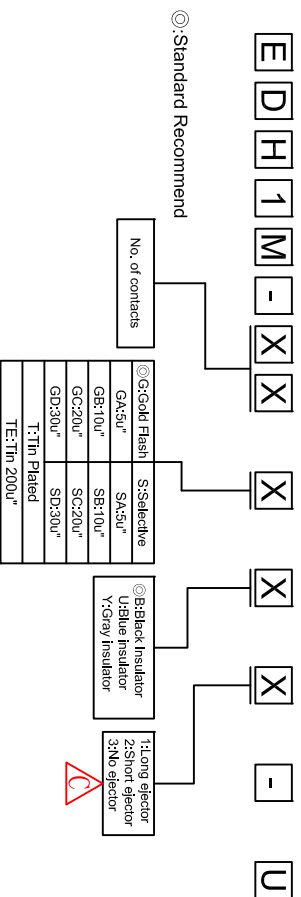


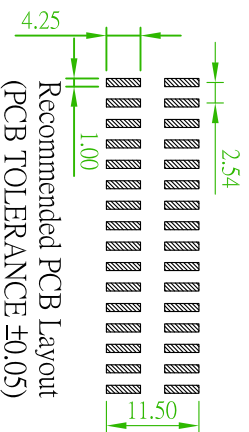
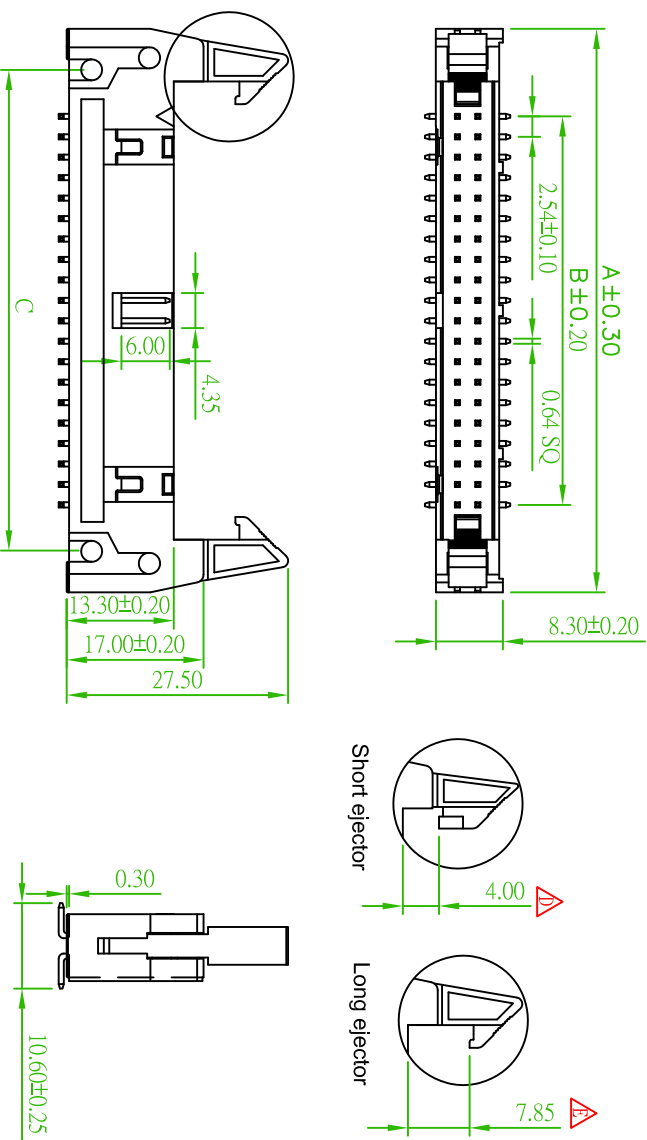
### Specifications

Current Rate:3 AMP  
 Insulation Resistance:1000M Ω Min.  
 Contact Resistance:20m Ω Max.  
 Dielectric Voltage:1000V AC for one minute  
 Operation Temperature:-40°C to +105 °C  
**Material**  
 Insulator Material:High Temperature Thermoplastic,  
 UL 94V-0  
 Contact Pin:Copper Alloy

### ORDER INFORMATION



| No. of contacts | A      | B     | C     |
|-----------------|--------|-------|-------|
| 6               | 26.82  | 5.08  | 16.62 |
| 8               | 29.36  | 7.62  | 19.16 |
| 10              | 31.90  | 10.16 | 21.70 |
| 14              | 36.98  | 15.24 | 26.78 |
| 16              | 39.52  | 17.78 | 29.32 |
| 20              | 44.60  | 22.86 | 34.40 |
| 24              | 49.68  | 27.94 | 39.48 |
| 26              | 52.22  | 30.48 | 42.02 |
| 30              | 57.30  | 35.56 | 47.10 |
| 34              | 62.38  | 40.64 | 52.18 |
| 40              | 70.00  | 48.26 | 59.80 |
| 50              | 82.70  | 60.96 | 72.50 |
| 60              | 95.40  | 73.66 | 85.20 |
| 64              | 100.48 | 78.74 | 90.28 |



| REV. | DESCRIPTION   | DATE                 |
|------|---|----------------------|
| E    | Revised the long ejector Dimensions: 7.65 → 7.85mm            | 2011/10/27<br>Simmys |
| D    | Revised the short ejector Dimensions: 4.50 → 4.00mm           | 2011/01/07<br>Joe    |
| C    | Add the option: 3:No ejector                                  | 2009/02/05           |
| B    | Add No. of contacts 8, 6, 24 pin and revised title: R/A → SMT | 2008/09/30           |

Amitek Technology Co., Ltd.  
 TEL:86-2208-8036  
 FAX:86-2208-8035

| 品名           |            | EJECTOR HEADER 2.54mm SMT TYPE |            |
|--------------|------------|--------------------------------|------------|
| 品號           | 圖號         | 版本                             | 日期         |
| EDH1M-XX-U   | EDH1M-XX-U | E                              | 07/06/2007 |
| 客戶品號         | 客戶品號       | 比例                             | 核對         |
| SCALE        | FREE       | 核對                             | Paul       |
| CUSTOMER P/N | 公差         | 單位                             | 核准         |
| XX ±0.35     | .XX ±0.25  | mm                             | James      |
| TOLERANCE    |            | 核對                             |            |